

## REPLACEMENT PARTS

**DO NOT RETURN to RETAILER if  
Merchandise is Broken or Parts are Missing**

**Please Call:**

**Customer Service Department  
1-888-226-9850  
for Replacement**

**Thank You,**

**Outdoors Unlimited  
P.O. Box 277  
Elkhart  
IN, 46515**

**Models: RVAD 400  
RV 500**



# SIDE-KICK

**Grill** 



## Instruction Manual

**Outdoors Unlimited  
P.O. Box 277  
Elkhart, IN 46515**

[www.ouioutdoors.com](http://www.ouioutdoors.com)

Models: RVAD 400

RV 500

## FOR YOUR SAFETY

### If You Smell Gas:

1. Shut off gas to the appliance.
2. Extinguish any open flame.
3. Open lid.
4. If odor continues, immediately call your gas supplier or your fire department.

## WARNING

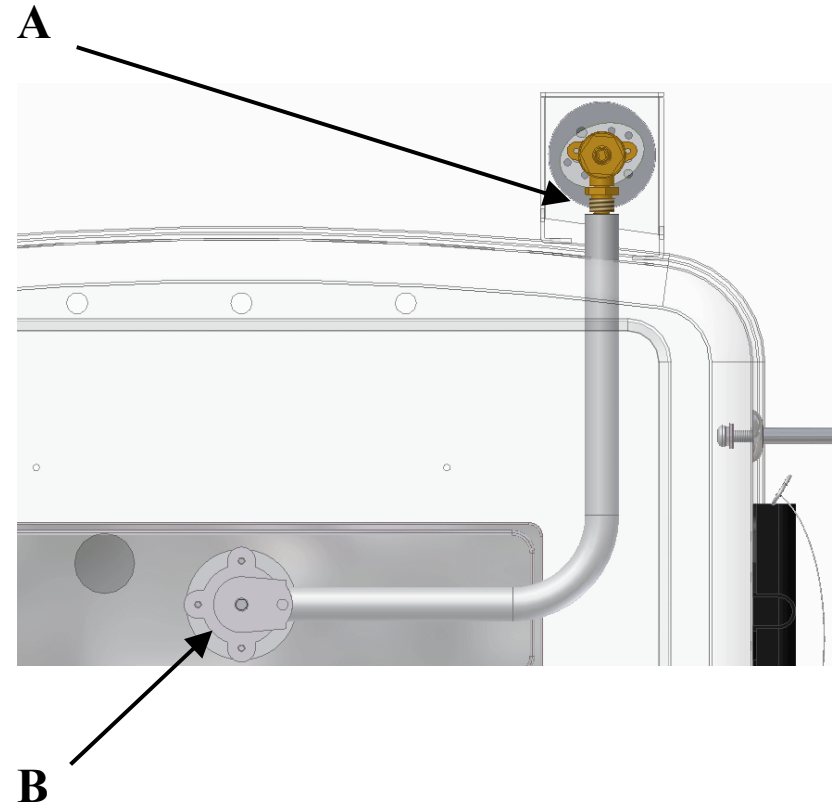
1. Do not store LP cylinder within 10 feet (3.05m) of this appliance.
2. Do not store or use gasoline or other flammable liquids or vapors within 25 feet (7.62m) of this appliance.
3. When cooking with oil/grease, do not allow the oil/grease to get hotter than 350 F (176.5C).
4. Do not leave oil/grease unattended.

## DANGER

Failure to follow the warnings listed above and any other dangers or cautions listed in this manual could result in personal injury or death, or in fire or explosion causing property damage.

## Removing Burner and Venturi Tube

1. Turn Side-Kick bottom side up.
2. Remove screw "B"(see diagram below) **Do Not Lose Washer.**
3. Turn nut "A" (see diagram below) counter clock wise until burner and tube are free.
4. To install new burner and tube, reverse steps #2 and #3.



- **Important** - Venturi tube must fully engage valve orifice for nut A to fully engage threads on venturi tube.
- Nut A must be turned to full length of threads.

## Maintenance

- Keep appliance area clear and free of any combustible materials, gasoline and other flammable vapors and liquids.
- Not obstructing the flow of combustion and ventilation air.
- Visually check burner flames.
- Grill should be cool to the touch before cleaning and storing.
- After each use of the grill, the appliance must be cleaned.
- To reduce the risk of a grease fire, always clean the drip tray and remove any grease from the inside of the grill using warm soapy water. The outside of the appliance can also be wiped down with warm soapy water.
- Use a brass bristled barbecue brush to scrub the stainless steel cooking grates, not a steel bristled wire brush.
- **DO NOT** use any cleaning solvents or abrasives to clean the grill.
- Before each use always check/clean burner/venturi tubes for insects and insect nests. A clogged tube can lead to a fire beneath the appliance.
- To check for gas leaks on hose or grill, use a solution of 1 part liquid dish detergent to 10 parts water. Agitate solution until bubbles form, then apply to all fittings and inlet to grill control valve. If a leak is detected and you are unable to correct; return unit to the dealer for repair.
- The appliance and its individual shutoff valve must be disconnected from the gas supply piping system during any pressure testing of that system at test pressures in excess of ½ psi (3.5kPa).
- The appliance must be isolated from the gas supply piping system by closing its individual manual shutoff valve during any pressure testing of the gas supply piping system at test pressures equal to or less than 1/2psi (3.5kPa).
- ANSI Z21.89-2007 Outdoor Cooking Specialty Gas Appliance.

## CAUTIONS

- This Barbecue grill is designed for **OUTDOOR USE ONLY** and shall not be used in a building, garage or any other enclosed area!
- This appliance is not intended to be installed in or on boats.
- Minimum clearance from grill to any combustible material must be 8" on the rear and 12" on either side of grill.
- This appliance shall not be located under a unprotected combustible constructions.
- Before each use, your grill, hoses, fittings and burner should be visually inspected for any wear and/or damage/blockage.
- If hoses, fittings or burners need replaced use only assemblies specified by manufacturer.
- This appliance is not intended for commercial use.
- The use of alcohol, prescription or non-prescription drugs may impair the consumer's ability to properly/safely operate the appliance.
- In the event of a grease fire do not attempt to extinguish with water. Use Type BC dry chemical extinguisher or smother fire with dirt, sand or baking soda.
- In the event of rain while cooking with oil/grease, cover the cooking vessel immediately and turn off the appliance burners and gas supply.\* Do not attempt to move the appliance or cooking vessel.
- When cooking, the appliance must be on a level, stable surface in an area clear of combustible material. An asphalt surface (blacktop) may not be acceptable for this purpose.
- Do not leave the appliance unattended. Keep children and pets away from the appliance at all times.
- Do not place empty cooking vessel on the appliance while in operation. Use caution when placing anything in cooking vessel while the appliance is in operation.
- Do not move the appliance while in use. Allow the cooking vessel to cool before moving or storing.
- This appliance is not intended for and should never be used as a heater.
- Place hoses and tank in a position so as to avoid a trip hazard.
- **Warning** - Do not use this appliance under extended awnings. Failure to comply could result in a fire or personal injury.
- **Danger** - Do not store grill until cool to the touch. Failure to do so could result in fire resulting in property damage, personal injury or death.

## Installation

- The installation of the convenience outlet (quick disconnect and manual valve assembly) must be performed by the recreational vehicle manufacturer and be in accordance with the requirements of ANSI A119.2 /NFPA 1192 and ANSI A119.5.
- The installation of the appliance mounting brackets must be performed by the recreational vehicle manufacturer and be in accordance with the requirements of ANSI A119.2/NFPA 1192 and ANSI A119.5.
- Installation of this grill must conform to the the National Fuel Gas Code, ANSI Z223.1/NFPA 54, and Storage and Handling of liquefied Petroleum Gases, ANSI/NFPA 58. Installation of this grill must also conform to the applicable ANSI A119 Standards for Recreational Vehicles and/or Park Trailers. ANSI A119 Standards must also be followed concerning clearances from appliance to any doors, windows and combustion air intakes.
- This appliance shall be installed on the opposite side, from a fuel distribution/dispensing system of an RV.
- The installation of the appliance must preclude the possibility of operation or gas flow when in storage (travel) position.
- **To the Installer** - All instructions for appliance are to be left with the consumer for further reference.

## Brackets

- Bracket is shipped in the folded position



- Unfold each arm one at a time
- Arms will drop into slots.

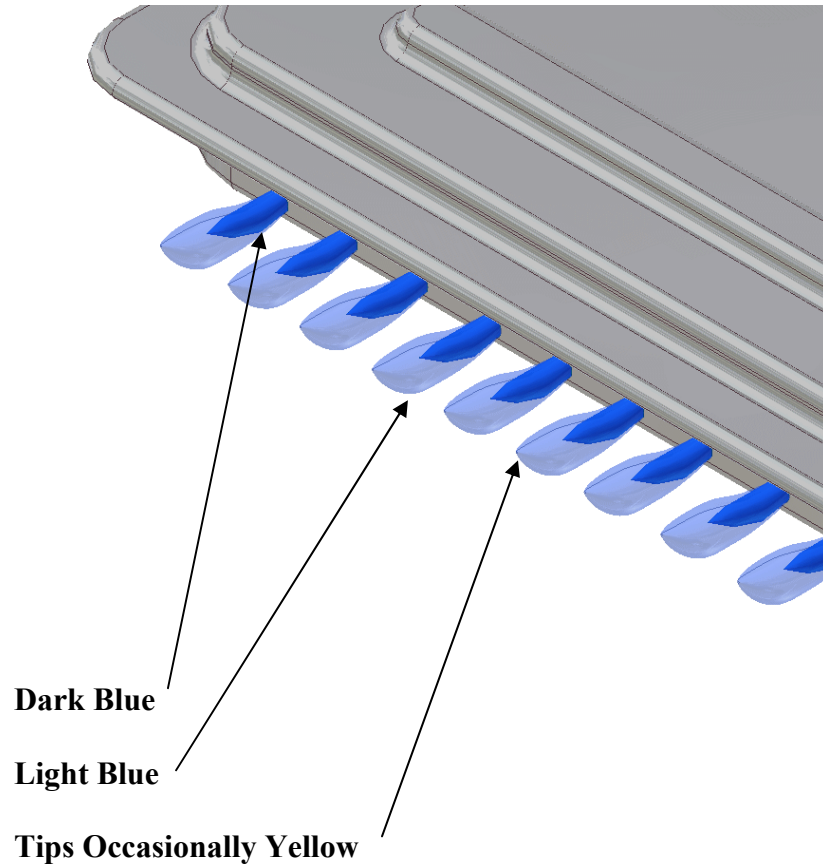


- To refold, step on bottom rail to push arms above slots.
- Fold back into position.

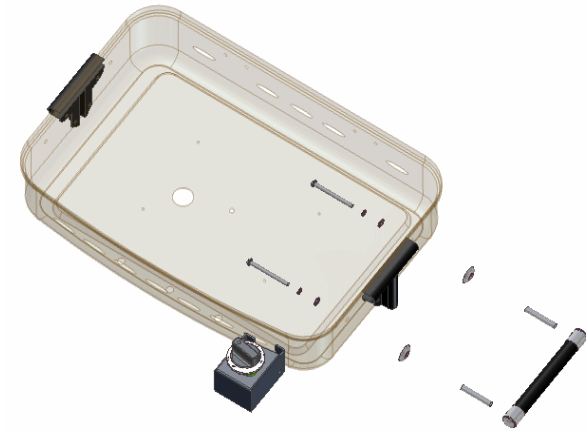


## Burner Flame Pattern

- The Side-Kick Burner has been factory set for the correct air and gas mixture. The correct flame pattern is shown below.



## Installing Your Grill Handles



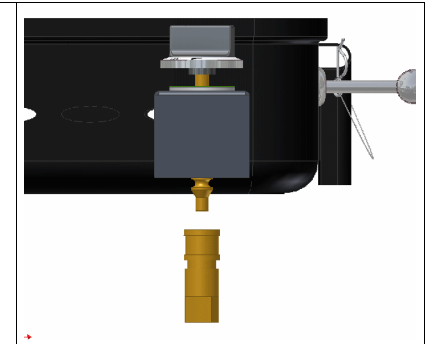
- Install the Handles (1) to the Bottom Bowl (2) by Caps (3), Flat Washers (4), Spring Washers (5) and Screws (6).

## Setting Up Your Grill

- Remove your Side-Kick grill from all interior and exterior packaging.
- Hold bracket at a 45 degree angle & drop attachment over white aluminum strip.
- Always make sure the cooking area is free from combustible material.
- Attach the hose assembly to your grill using the quick coupler.

To attach quick coupler:

- slide retaining sleeve back.
- Push female coupler onto male coupler.
- Release retaining sleeve.



## Horizontal position

(See Figure A)

1. Hang bracket on white aluminum mounting strip located on side of RV.
2. Open 2 folding arms on bracket, make sure they lock in position.
3. Slide grill onto 2 arms, make sure grill is fully on arms, against stops.
4. Insert retaining pins into arms
5. To remove grill, simply slide Side-Kick off of bracket arms.

## Caution

- Grill must be cool to the touch. When grill is cool to touch, no clearance is needed to store Side Kick.

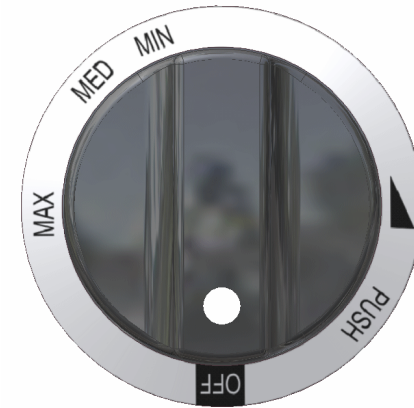


**Figure 'A'**  
**Horizontal Position**

## Lighting Your Side-Kick

**NOTE: Follow the setup instructions prior to using your grill.**

- Check to make sure the control knob is in the OFF position.
- Open hood.
- Turn control knob to HIGH.
- Using a grill lighter or match, light the burner through the lighting hole located on the bottom of the grill.



- Once burner is lit, adjust control valve to desired cooking temperature.

\* Push down and rotate counterclockwise to HIGH.

## WARNING:

**Always open hood before turning on gas and lighting burner, failure to open the hood before lighting could cause an explosion causing property damage, injury, or even death.**